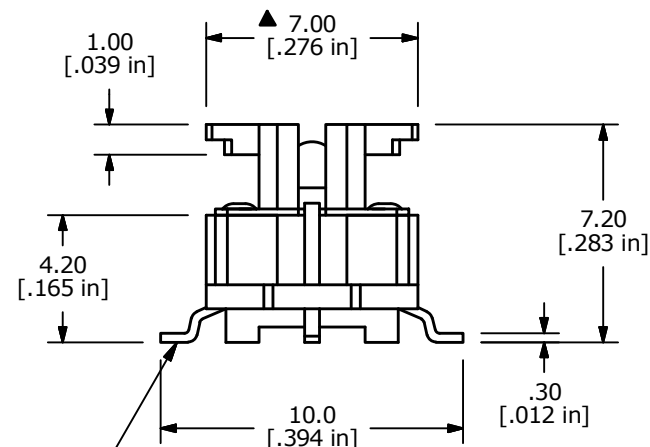
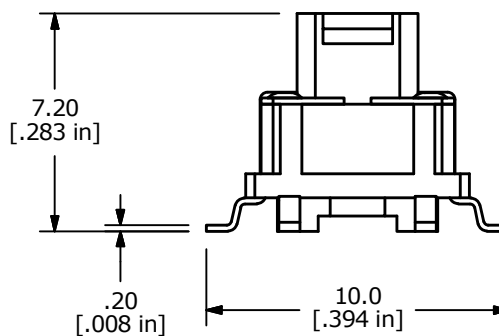
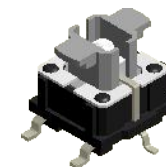
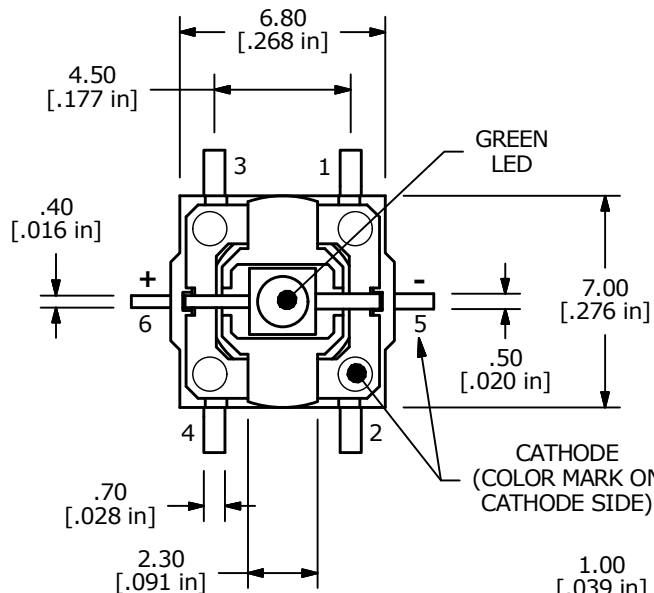


- NOTES:
1. ALL DIMENSIONS IN MM [INCH]
 2. GENERAL TOLERANCE: X.X = ± 0.4
X.XX = ± 0.25
 3. RATING: 12VDC @ 50mA
 4. CONTACT RESISTANCE: 100m Ω MAX.
 5. INSULATION RESISTANCE: 100M Ω MIN.
 6. OPERATING FORCE: 160 \pm 50gf
 7. TRAVEL: 0.2 \pm 0.1mm
 8. OPERATING TEMPERATURE: -40°C to 85°C
 9. OPERATING LIFE 500,000 CYCLES
 - ▲ 10. LED COLOR: GREEN
 11. ▲ DENOTED CRITICAL PARAMETER
 12. 2011/65/EU (ROHS) COMPLIANT
 13. PACKAGE: 450 PIECES PER REEL.
 14. PART TO BE HALOGEN FREE.



ALL TERMINALS TO BE COPLANER WITHIN 0.1mm(0.004")

LED SPECS	UNITS	GREEN
FORWARD CURRENT	mA	20
FORWARD VOLTAGE	V	2.1 TYP. - 2.5 MAX.
LUMINOUS INTENSITY	MCD	800 TYP.



REV	PCR NO	DESCRIPTION	DATE	BY
B	23036	update Package Note	10/9/17	MW
A	22935	New Release	7/20/17	rc

TITLE TL3265GQNN				
SCALE	DATE	DR	DWG	REV
4:1	7/5/2017	rc	B200071	B